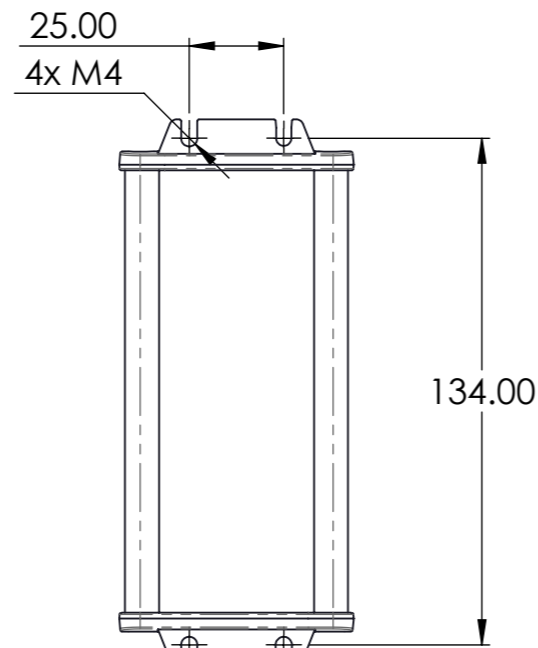
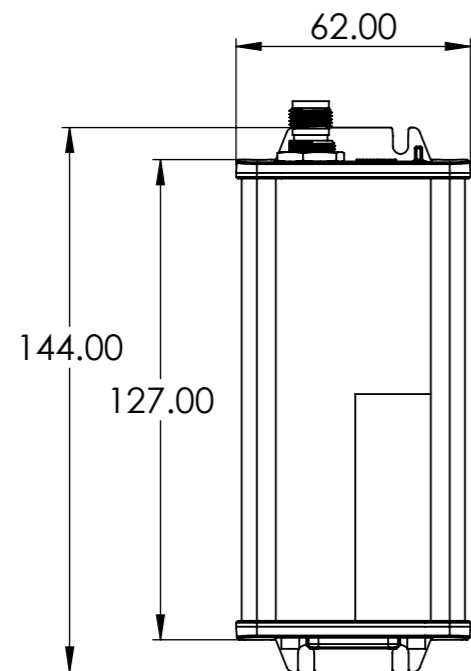


Notes:

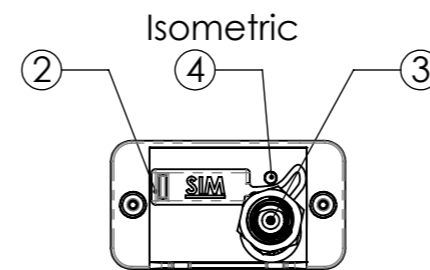
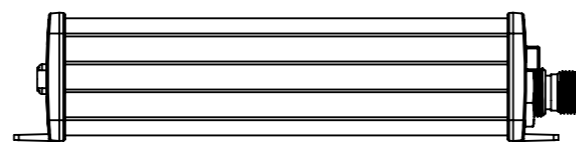
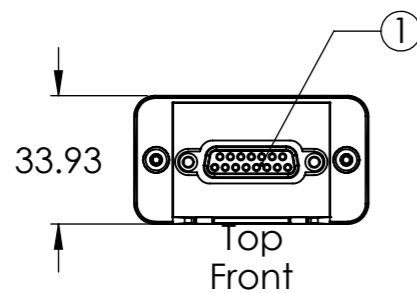
1. See CAD model MOP_00010 Rev 3.3 for unspecified dimensions.
2. Approximate weight: 240 grams
3. Electrical characteristics:
 - Operating voltage: 12-32V
 - Power draw: 500mA @ 28V

Items:

- ① D15 Female Connector
- ② Sim Compartment
- ③ Iridium TNC antenna connector
- ④ Power indicator LED



Mounitng Holes



Right

Back

Pinout		
Pin No.	Function	Type
1	Power In	Power
2	SPK Line N	Output
3	MIC N	Input
4	Ground	Power
5	RS-232 RTS	Input
6	RS-232 CTS	Output
7	Not used	-
8	Not used	-
9	Ground	Power
10	SPK Line P	Output
11	MIC P	Input
12	Not used	-
13	RS-232 RX	Input
14	RS-232 TX	Output
15	Ring Indicator	Output

2.2	HW-2223	25/10/2022	JJB	RB
2.1	HW-2218	15/09/2022	JJB	JG
2.0	HW-2175	29/08/2022	JJB	RB
1.0	HW-2164	28/07/2022	JJB	RB
REV.	DESCRIPTION	DATE	DRAWN	APPV'D

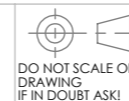
Unless otherwise specified dimensions are in MILLIMETERS (mm)

TOLERANCES:
ISO 2768-m

All finished parts supplied to these specifications shall be manufactured in compliance with EU Directive 2002/95/EC (RoHS) and other applicable standards.
A certificate of conformance and a material declaration will be required for full part qualification.

Cage Code:

EBL17



Flightcell International Ltd
PO Box 1481, Nelson, New Zealand
+64 3 545 8652 www.flightcell.com

ORIGINAL SCALE: 1:2
DRAWING SIZE: A3

TITLE: **Flightcell Iridium Satellite Modem General Arrangement Drawing**

DWG NO: **115-00013**

General Arrangement Drawing

SHEET
1 OF 1

Revision:
2.2