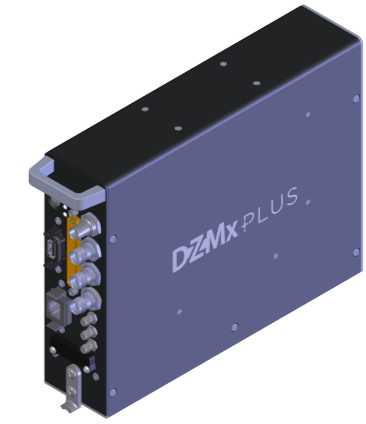


**Notes:**

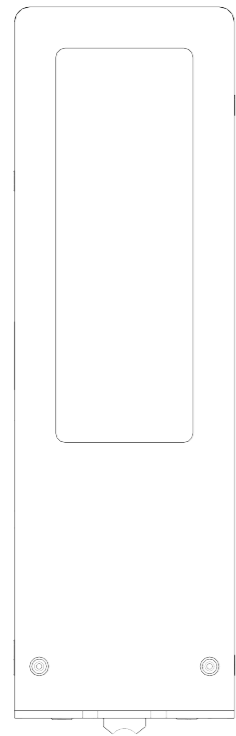
1. See CAD model 115-00012 Rev 1.4 for unspecified dimensions.
2. Drawing applies to Part No: DZP\_07-x1x-xxxx
3. For installation with Flightcell 2 MCU DZMx Plus Tray Assembly MEP\_01-000



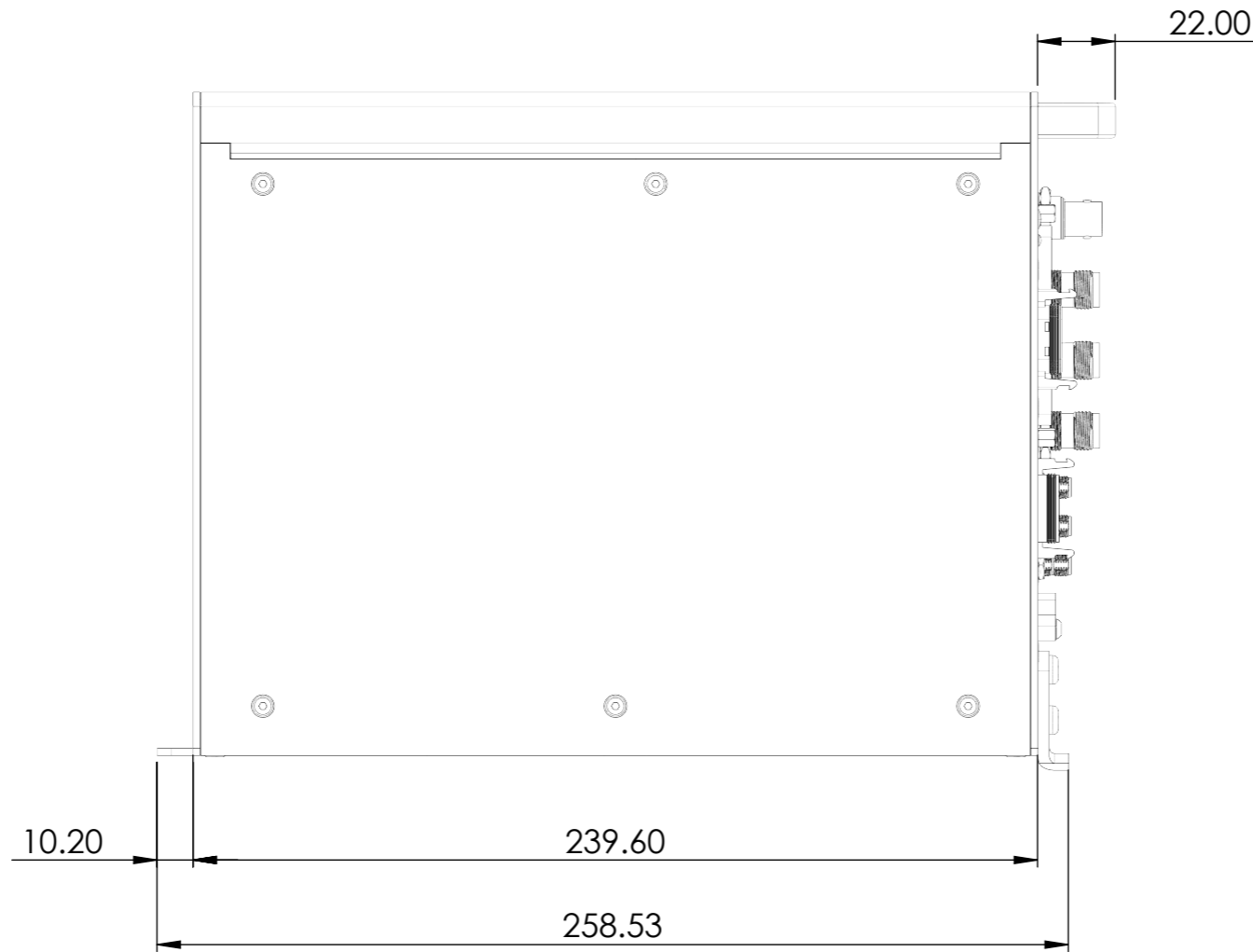
Top



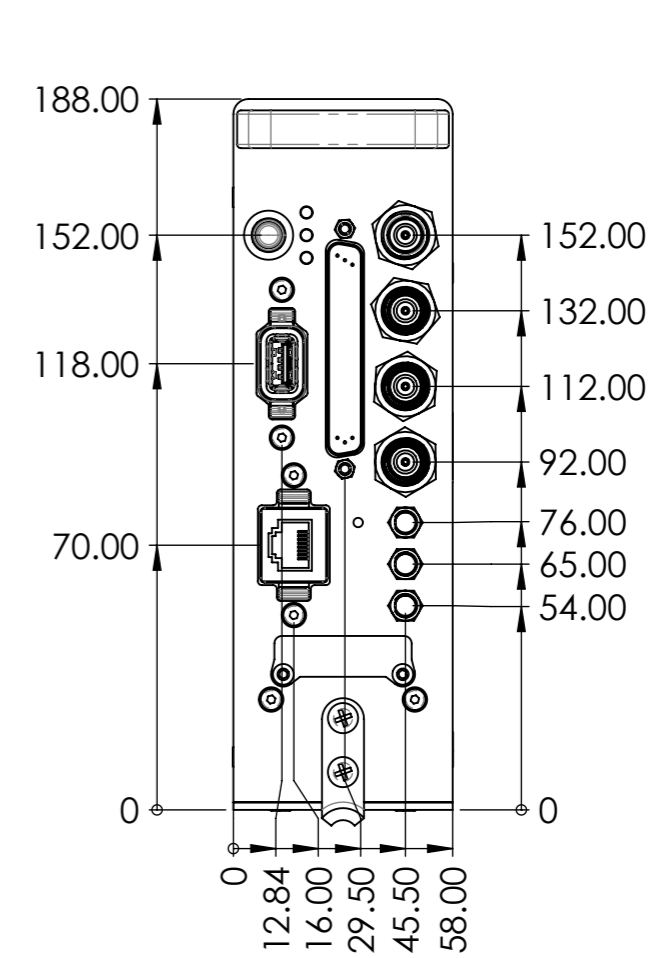
Isometric  
SCALE 1 : 5



Rear



Right



Front

1.4	HW-2559	12/02/2024	JJB	RB
1.3	HW-2557	08/02/2024	JJB	RB
1.2	HW-2244	8/11/2022	RB	JJB
1.1	HW-2129	28/06/2022	JJB	RB
1.0	HW-1263	20/06/2022	DLF	RB
REV.	DESCRIPTION	DATE	DRAWN	APPV'D

Unless otherwise specified  
dimensions are in MILLIMETERS (mm)

TOLERANCES:  
ISO 2768-m

Cage Code:  
**EBL17**

DO NOT SCALE OFF  
DRAWING  
IF IN DOUBT ASK!

**Flightcell**  
Flightcell International Ltd  
PO Box 1481, Nelson, New Zealand  
+64 3 545 8652 www.flightcell.com

ORIGINAL SCALE: 1:2  
DRAWING SIZE: A3

TITLE: **DZMx Plus Mechanical Assembly**

DWG NO: **115-00012**

CONFIGURATION: **2MCU**

SHEET  
1 OF 1

Revision:  
**1.4**