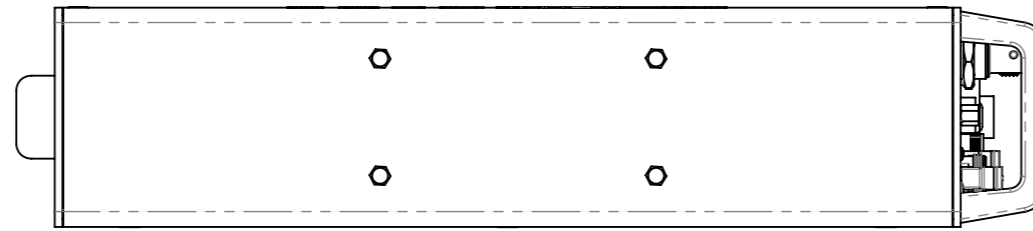


Notes:

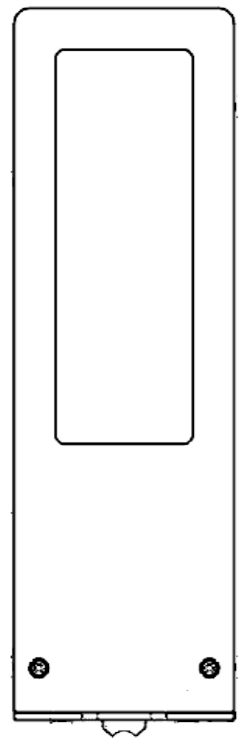
1. See CAD model 115-00012 Rev 1.2 for unspecified dimensions.
2. Drawing applies to Part No: DZP_07-x1x-xxxx
3. For installation with ARINC 600 2MCU Tray MEP-00001



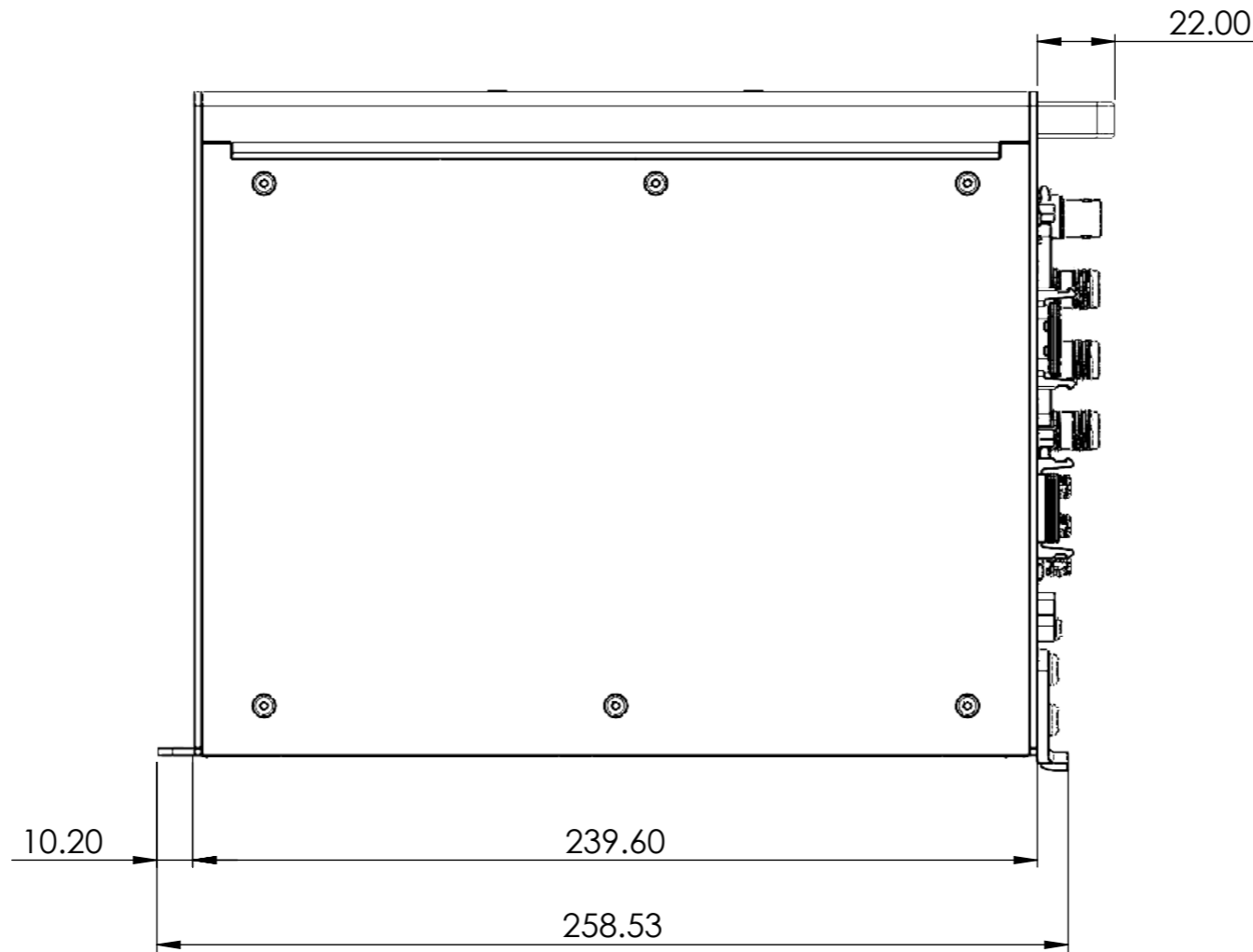
Top



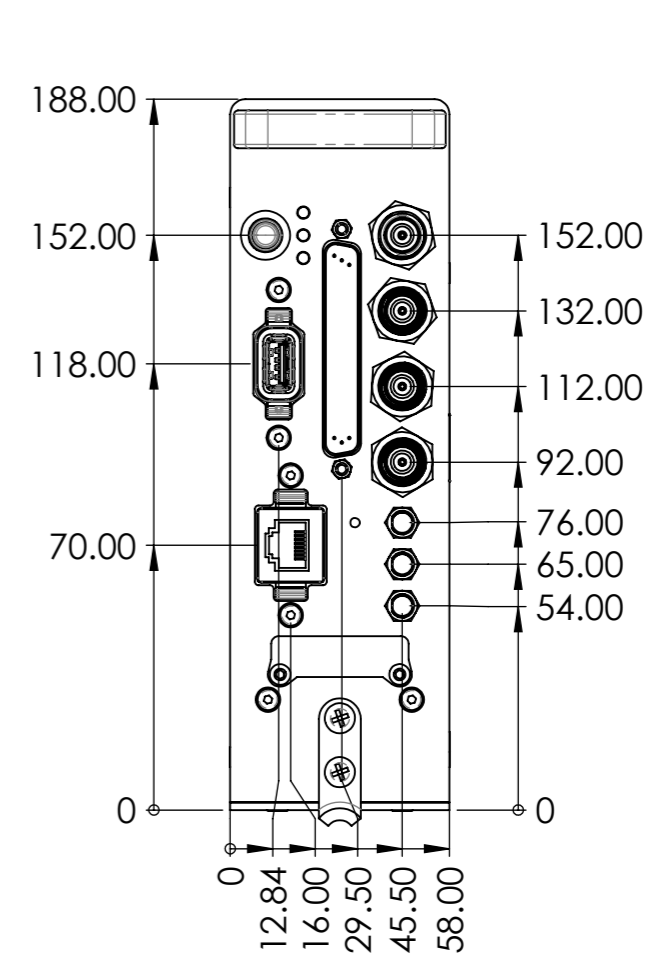
Isometric
SCALE 1 : 5



Rear



Right



Front

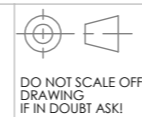
1.2	HW-2244	8/11/2022	RB	JJB
1.1	HW-2129	28/06/2022	JJB	RB
1.0	HW-1263	20/06/2022	DLF	RB
REV.	DESCRIPTION	DATE	DRAWN	APPV'D

Unless otherwise specified
dimensions are in MILLIMETERS (mm)

TOLERANCES:
ISO 2768-m

All finished parts supplied to these specifications shall be manufactured in compliance with EU Directive 2002/95/EC (RoHS) and other applicable standards. A certificate of conformance and a material declaration will be required for full part qualification.

Cage Code:
EBL17



Flightcell
Flightcell International Ltd
PO Box 1481, Nelson, New Zealand
+64 3 545 8652 www.flightcell.com

ORIGINAL SCALE: 1:2
DRAWING SIZE: A3

TITLE: **DZMx Plus Mechanical Assembly**

DWG NO: **115-00012**

CONFIGURATION: **2MCU**

SHEET
1 OF 1

Revision:
1.2